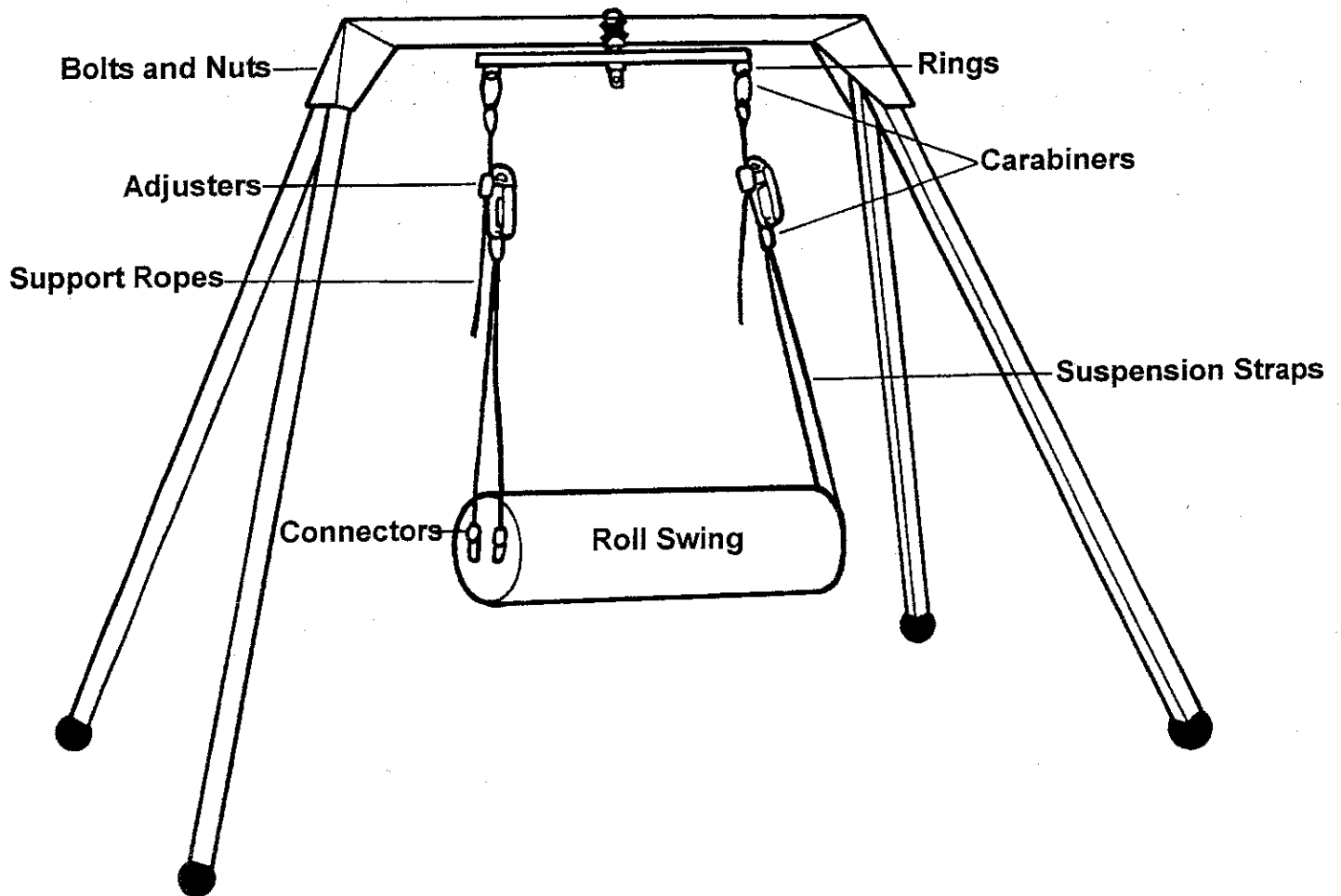


Vestibulator II[®] Safety Note

Tumble Forms 2 Vestibulator II should be used only with the following Tumble Forms 2 Accessories :

- 2772P Platform Swing
- 2772D Flexi Disk
- 2772H Roll Swing
- 2772N Prone Net Swing
- 2772S Net Swing with Positioning Seat

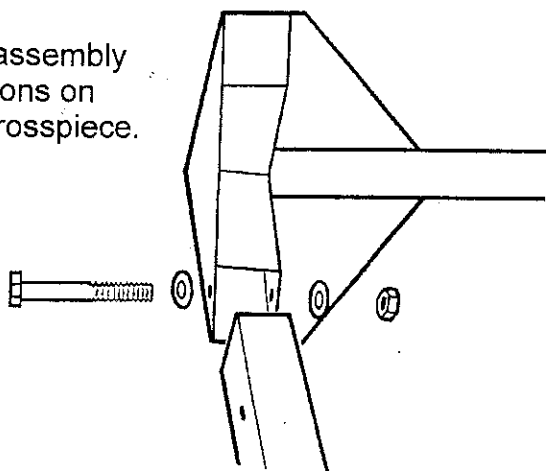


Use floor mats. Never leave your client unattended. Please check your equipment regularly and replace any parts that show excessive wear. If there is any question of your clients safety, don't take a chance.

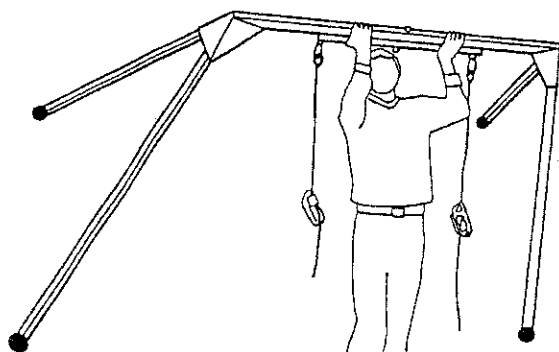
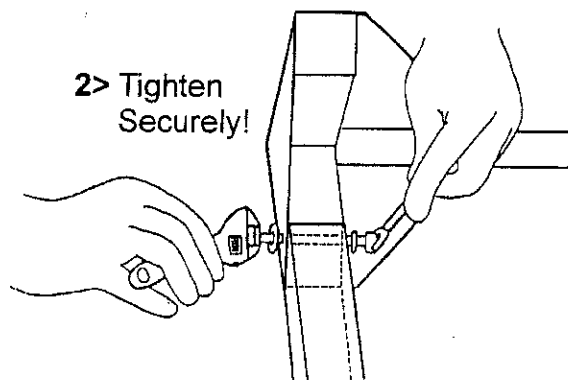
Replacement parts are available from:

Assembly Instructions

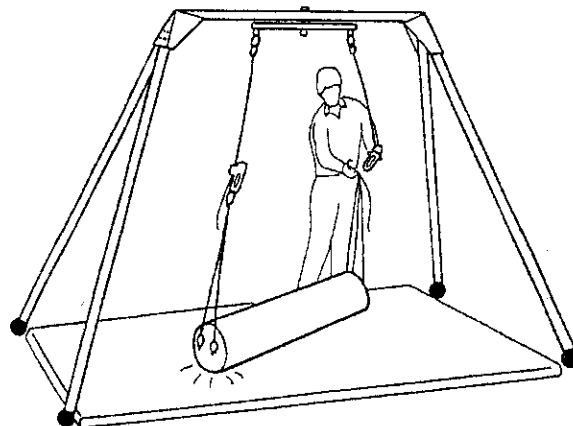
1> Follow assembly instructions on frame crosspiece.



2> Tighten Securely!

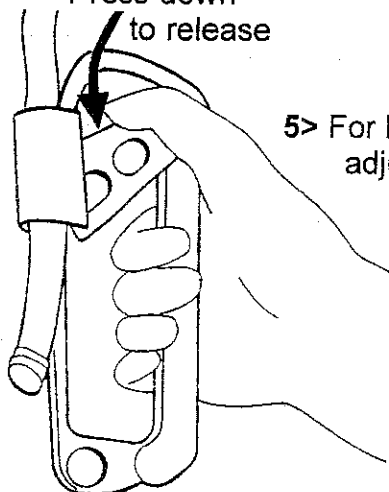


3> Lift into upright position.

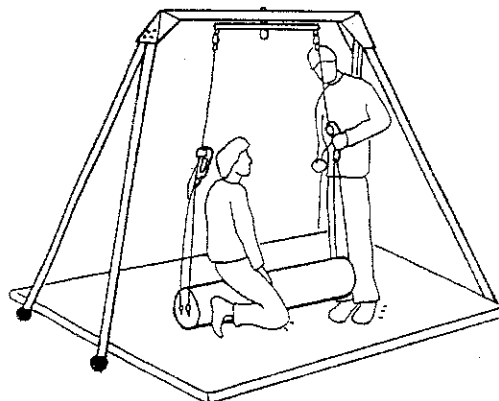


4> With mat in place attach appropriate swing.

Press down to release



5> For height adjustment



6> Adjust height and position client