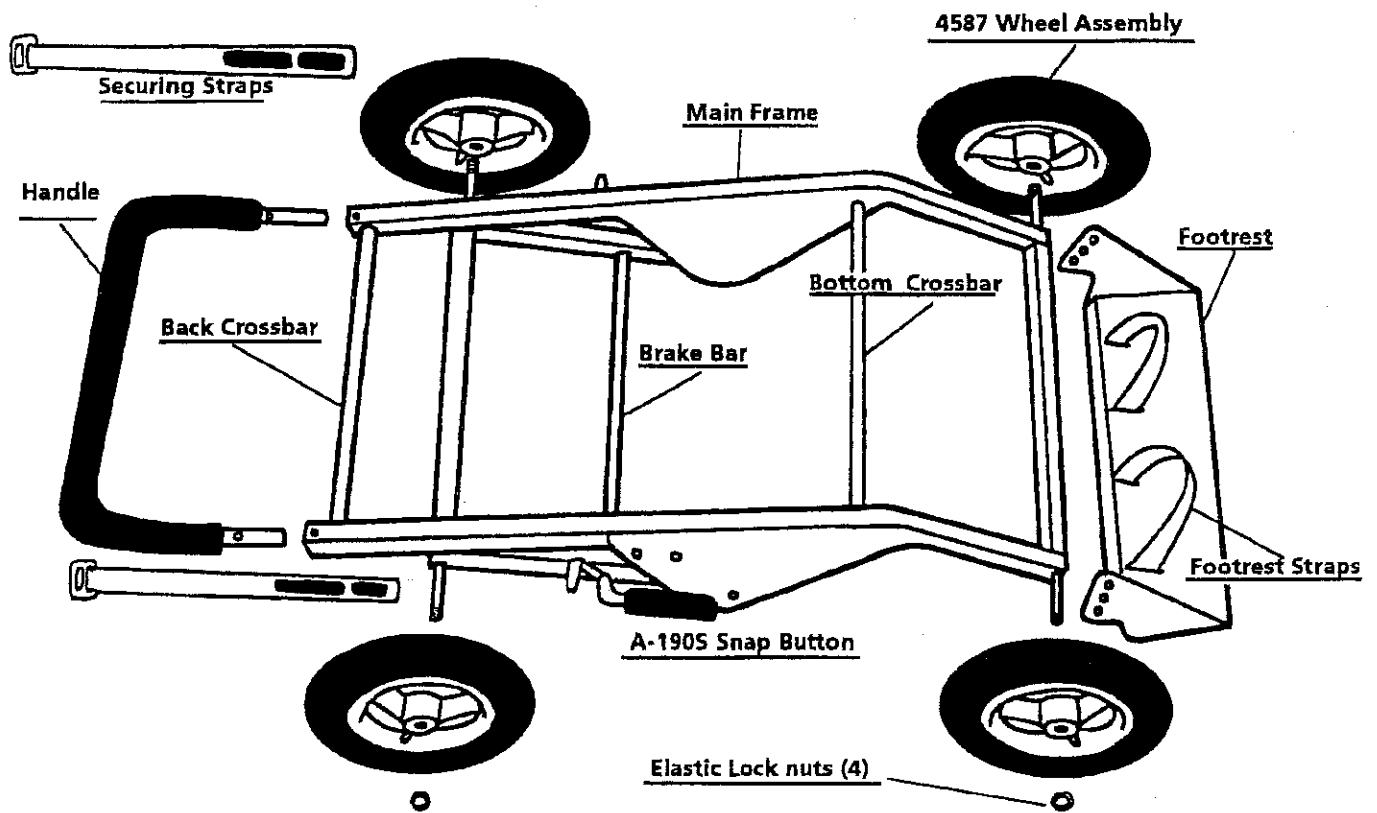


# Tumble Forms

# All Terrain ROVER<sup>®</sup>

4585 Medium - 4587 Large - 4586 X-Large

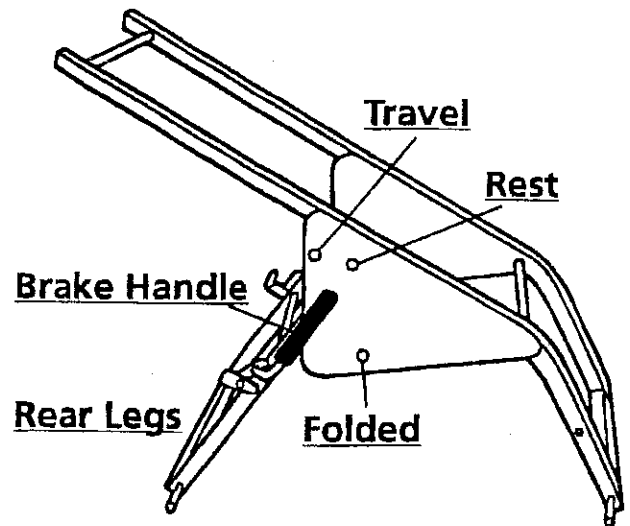
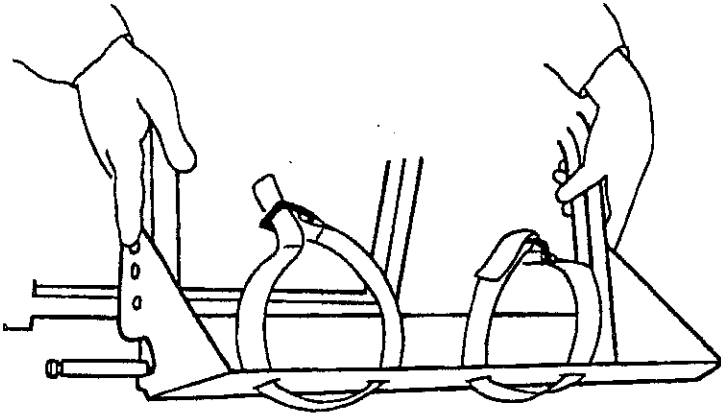


## Instruction Manual

Your Rover Stroller is to be used only with the appropriate size Feeder Seat positioner.

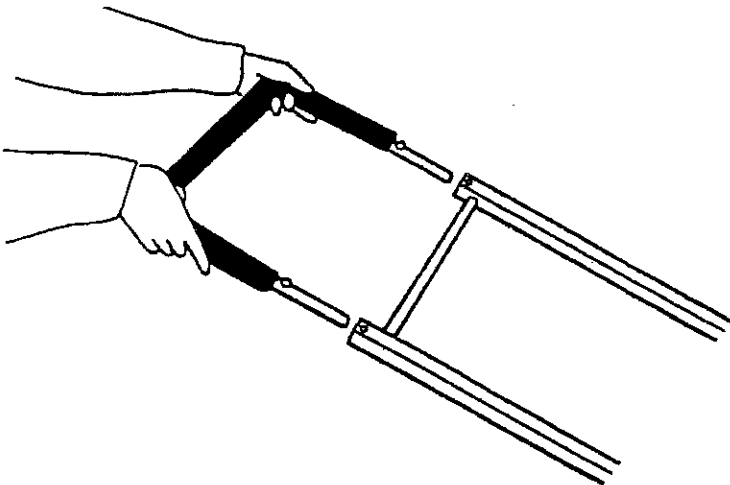
## Open the Frame

Unfold the Rover frame by spreading the rear legs and main frame until the snap button "clicks" into the rest position.



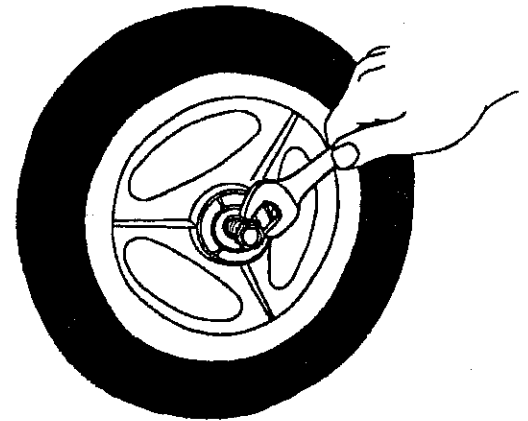
## Install the Footrest

Attach the footrest to the front of the Rover frame by sliding it over the front bars and allowing the buttons to extend fully through the matching holes on either side. Choose the proper height by moving the footrest up or down as required. It may be helpful to spread the sides of the footrest slightly apart when matching the holes, and letting them spring back flush against the frame. Footrest on X-Large Rover is not removable.



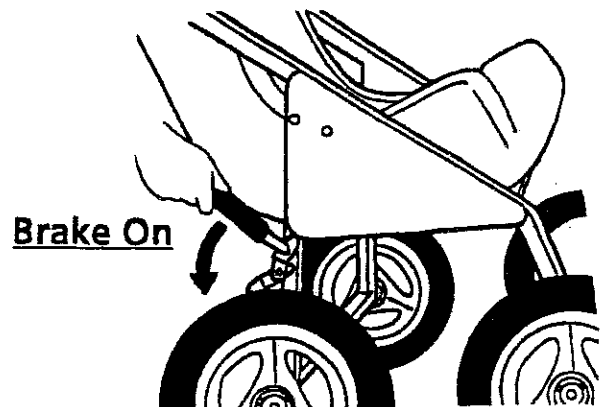
## Insert the handle

Attach the handle by evenly pushing each tube into the frame until the snap buttons "click" into place.



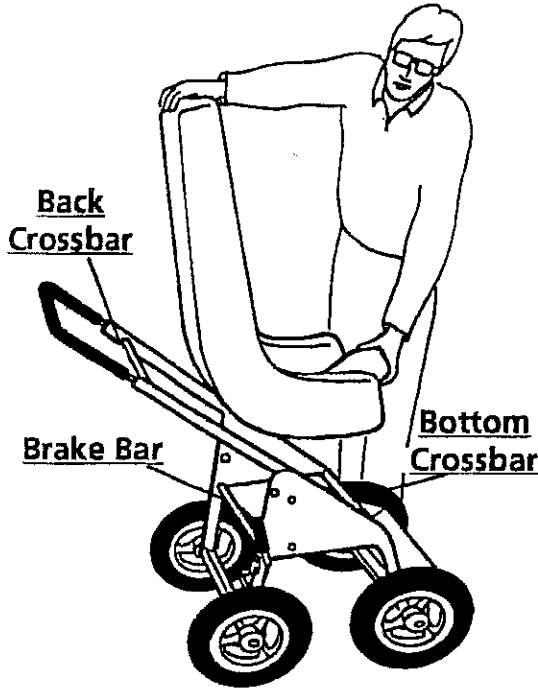
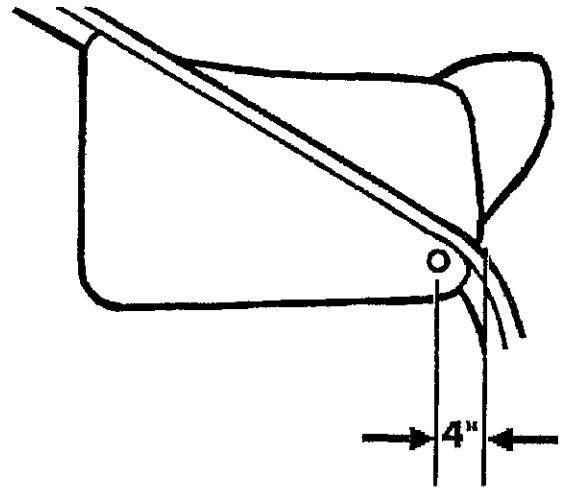
## Install the Wheels

Slide the wheels on the threaded axles. Tighten the elastic lock nuts using a 7/8" wrench until the wheel contacts the frame. If the wheel seems to bind, loosen the nut up to 1/4 turn. Now put the brake on.

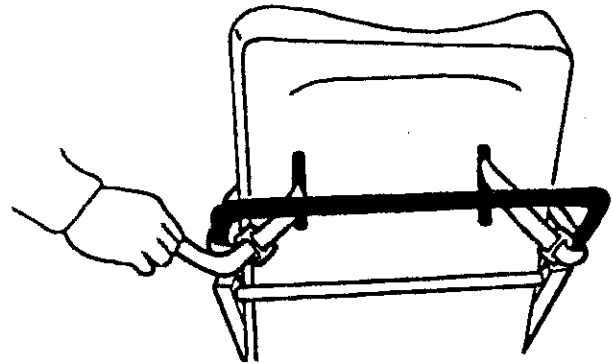


### Insert the Feeder Seat

Insert the Feeder Seat positioner by sliding it into the Rover frame so that the bottom of the seat rest on the bottom cross bar at least 4" from the front edge. Then push the seat back to rest against the back cross bar.

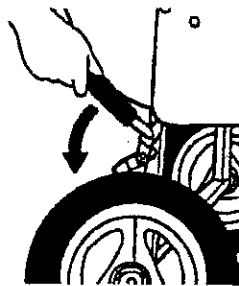


To secure the Feeder Seat positioner to the Rover frame, insert the securing straps through the shoulder belt slots in the feeder Seat positioner. Wrap the securing straps around the rover handle. Insert the end of the securing straps through the open slot in the cinch buckle Velcro® side out. Pull until snug. Fold the end of the strap back over itself, and press together Velcro® to Velcro®.



### Passenger Entry

Put the brake on.



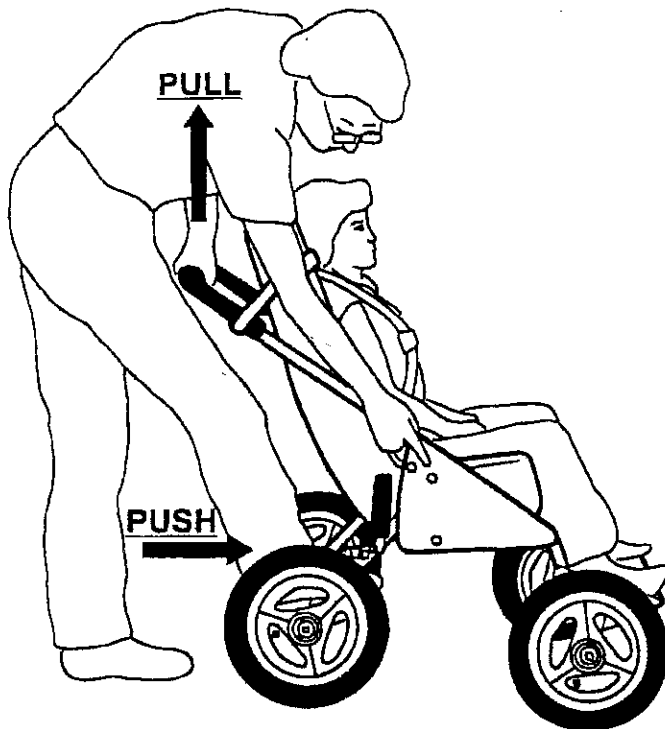
Be Sure that the Rover is on a level surface.

Swing the footrest up for ease of entry, and let it drop into position when the passenger is seated.

Secure the pelvis all the way to the back of the seat by tightening the lap belt before securing the upper body with the "H" strap.

Adjust the footstraps by pulling the atraps through the buckle until snug.





### Changing Positions

Put the Brake on.

Pull up on the handle bar with your left hand.

Simultaneously push on the rear frame axle with your right foot.

Press the snap button and listen for a "click".

Finger tip pressure on the snap button is all that is necessary to change positions when these steps are followed.

### Traveling

Your Rover buggy is equipped with 12 1/12" all terrain wheels. The X-Large stroller has 8" 5" front swivel wheels.

Adjust the snap button to the Travel position.

Release the brake.

Turning the Medium and Large Rover Stroller is accomplished by pushing down on the handle enough to raise the front wheels off the ground slightly and pivoting on the rear wheels.

